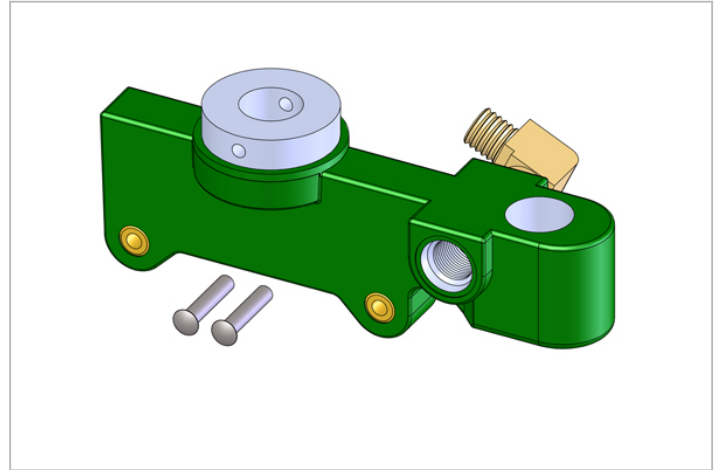


Part No.

QTAP-0013

APGV, APG0 body casting, painted with (1) ell installed

Replacement parts for hand pumps, calibration manifolds, nitrogen sources and volume controllers



QTAP-0013

Specs/Attributes

Max Pressure	0.00 PSI / 0.00 mbar / 0.00 kPa
Max Vacuum	0.00 InHg / 0.0 kPa
Country of origin	USA
Weight	5.57 oz / 160 grams
Dimensions	H: 5 in (12.7 cm) x W: 4 in (10.16 cm) x D: 0.5 in (1.27 cm)