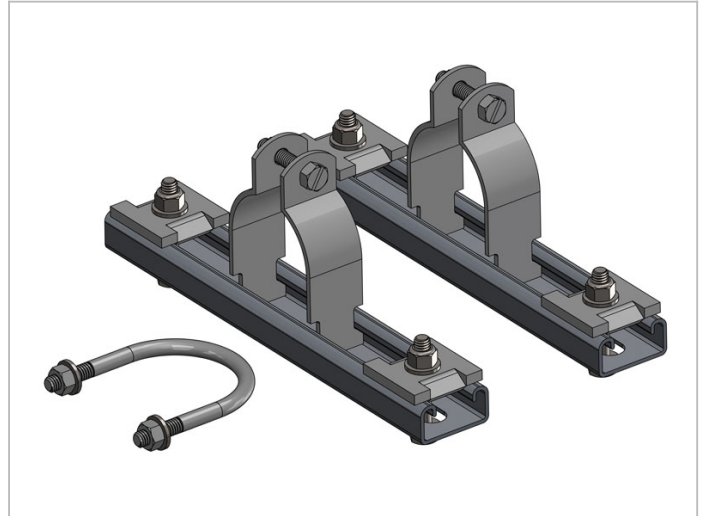


Part No.

DGAU-0368-2

Fieldlab pole mounting kit for Outdoor Enclosure, 2 in (5 cm) pole

Replacement parts for hand pumps, calibration manifolds, nitrogen sources and volume controllers



DGAU-0368-2

Specs/Attributes

Materials	Stainless Steel
Country of origin	USA
Hose 1	Quick-test Hose, Stainless Steel ends, 2ft / 0.6m long
Pressure Reference	None
Process Connection	1/4
Reference Connection	1/2
Weight	2 oz / 57 grams
Dimensions	H: 14 in (35.56 cm) x W: 10 in (25.4 cm) x D: 1 in (2.54 cm)