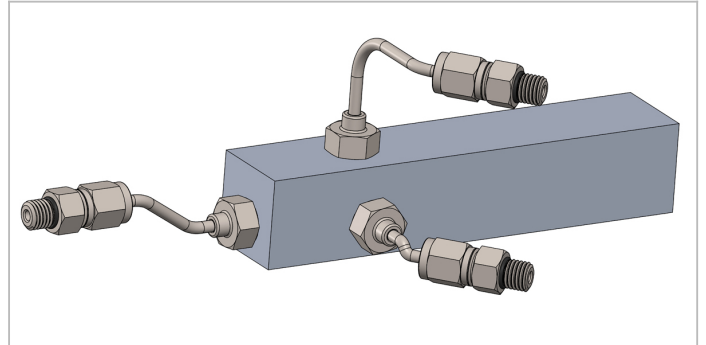


Part No.

NPAK-0014

NPAK Valve Block (for #6 and #8)

Replacement parts for hand pumps, calibration manifolds, nitrogen sources and volume controllers



NPAK-0014

Specs/Attributes

Max Pressure	0.00 PSI / 0.00 mbar / 0.00 kPa
Max Vacuum	0.00 InHg / 0.0 kPa
Materials	Aluminum
Country of origin	USA