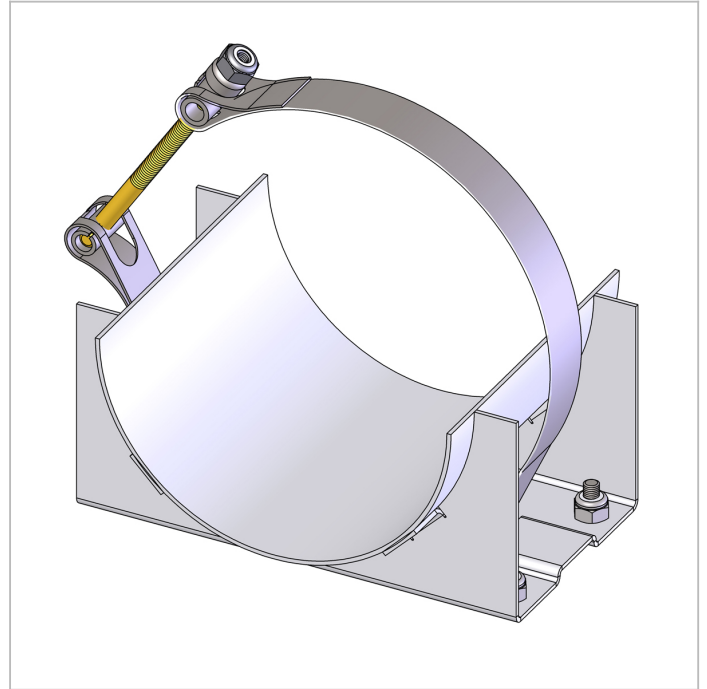


Part No.

NPAK-0030

NPAK tank clamps, bracket and attachment bolts

Replacement parts for hand pumps, calibration manifolds, nitrogen sources and volume controllers



NPAK-0030

Specs/Attributes

Max Pressure	0.00 PSI / 0.00 mbar / 0.00 kPa
Max Vacuum	0.00 InHg / 0.0 kPa
Country of origin	USA
Weight	15.55 oz / 440 grams
Dimensions	H: 5 in (12.7 cm) x W: 4.38 in (11.13 cm) x D: 4.02 in (10.21 cm)