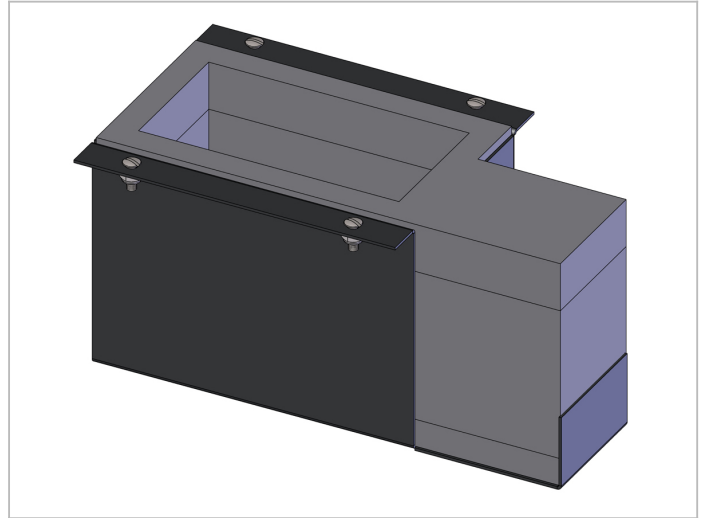


Part No.

NPAK-0080

NPAK gauge compartment with foam liner

Replacement parts for hand pumps, calibration manifolds, nitrogen sources and volume controllers



NPAK-0080

Specs/Attributes

Max Pressure	0.00 PSI / 0.00 mbar / 0.00 kPa
Max Vacuum	0.00 InHg / 0.0 kPa
Country of origin	USA