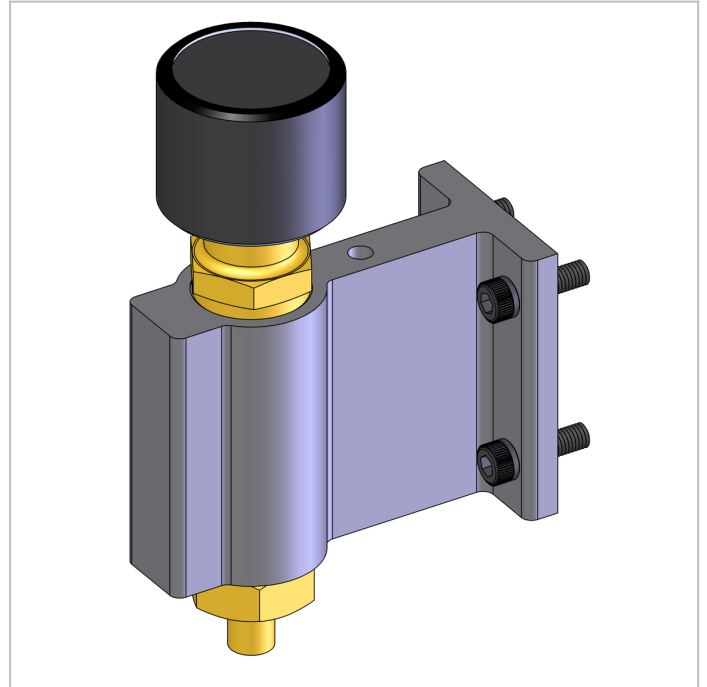


Part No.

# QTVC-0006

*QTVC balance valve assembly*

Replacement parts for hand pumps, calibration manifolds, nitrogen sources and volume controllers



QTVC-0006

## Specs/Attributes

Max Pressure	0.00 PSI / 0.00 mbar / 0.00 kPa
Max Vacuum	0.00 InHg / 0.0 kPa
Country of origin	USA